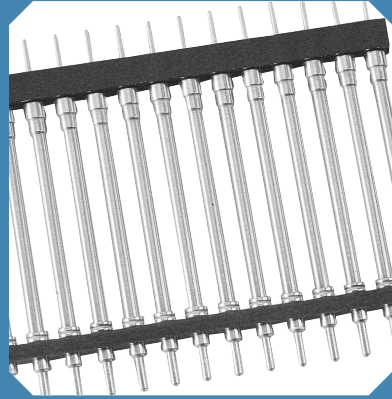


Board to Board Connectors



Features:

- Male and female connectors are designed in mating pairs.
- .100/(2.54mm) row to row pitch.
- High reliability screw-machined terminals with closed-end construction for 100% anti-wicking of solder.
- For surface mount options, consult factory.
- Reliable mechanical support.
- Custom configurations available.

Specifications:

Terminals:

Brass - Copper Alloy
(C36000) ASTM-B-16

Contacts:

Beryllium Copper
(C17200) ASTM-B-194



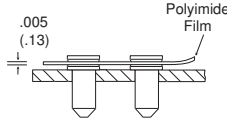

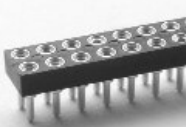
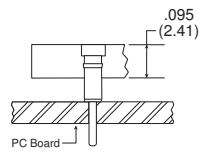


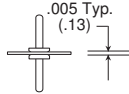

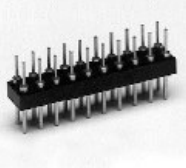
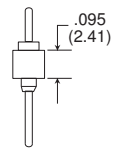
Plating:

G - Gold over Nickel
M - Matte Tin over Nickel
T - Tin/Lead over Nickel

Gold per ASTM-B-488
Matte Tin per ASTM545-97
Tin/Lead per MIL-P-81728
Nickel per QQ-N-290

.100/(2.54mm) Pitch Board to Board Connectors Molded and Peel-A-Way® Insulators

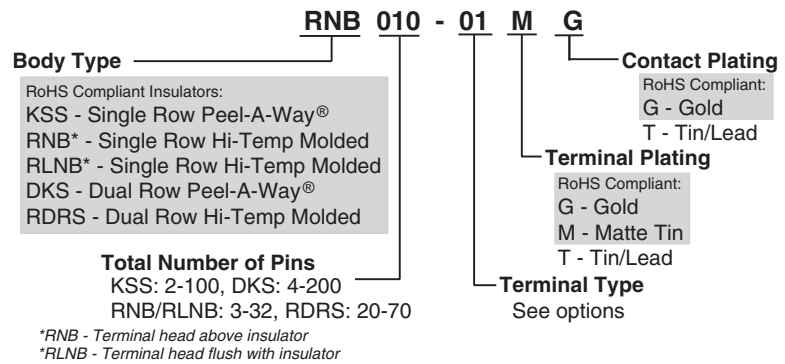
Table of Models

	Single Row	Dual Row		
Female	 KSS	 DKS	Description: Peel-A-Way® (KSS, DKS) Material: Polyimide Film Index: -269°C to 400°C (-452°F to 752°F)	
	 RNB/RLNB	 RDRS	Desc: Molded (RNB, RLNB, RDRS) Material: High Temp. Liquid Crystal Polymer (LCP) Index: -40°C to 260°C (-40°F to 500°F)	
Male	 KSA	 DKA	Description: Peel-A-Way® (KSA, DKA) Material: Polyimide Film Index: -269°C to 400°C (-452°F to 752°F)	
	 RNA	 RDRA	Description: Molded (RNA, RDRA) Material: High Temp. Liquid Crystal Polymer (LCP) Index: -40°C to 260°C (-40°F to 500°F)	

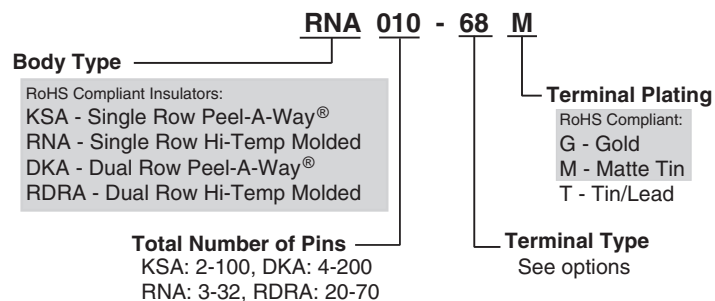
RNB/RLNB replaces HNB/HLNB and NB/LNB. RDRS replaces HDRS and DRS.
RNA replaces HNA and NA. RDRA replaces HDRA and DRA.

How To Order

Female



Male



Note: Terminals plated with Matte Tin are available only with Gold plated contacts.
Quick-Turn delivery is not available on products with Matte Tin plating.

Products shown covered by patents issued and/or pending. Specifications subject to change without notice.

inch/(mm)



5 Energy Way, West Warwick, RI 02893 USA
Tel: 800.424.9850 | 401.823.5200
Fax: 401.823.8723
info@advanced.com | www.advanced.com
Catalog 16 rev. Sept. 07

.100/(2.54mm) Pitch Board to Board Connectors

Molded and Peel-A-Way® Insulators



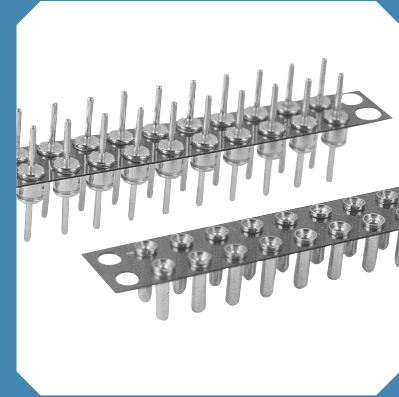
Board to Board Connectors

Standard Female Quick-Turn Terminals

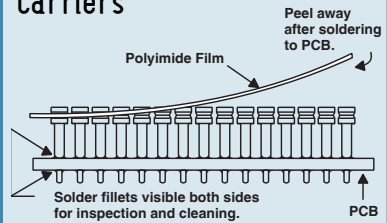
Additional standard and custom terminals available. See Terminals section or consult factory.

Type -210 Peel-A-Way® only <p>.058 Dia. (1.47) .015 (.38) .155 (3.94) .034 Dia. (.86)</p>	Type -85 Peel-A-Way® only <p>.058 Dia. (1.47) .031 (.79) .155 (3.94) .038 Dia. (.97)</p>	Type -33 Peel-A-Way® only <p>.072 Dia. (1.83) .165 (4.19) .125 (3.18) .020 Dia. (.51)</p>	Type -04 <p>.072 Dia. (1.83) .120 (3.05) .110 (2.79) .028 Dia. (.71)</p>
--	---	--	--

Type -51 <p>.072 Dia. (1.83) .130 (3.30) .110 (2.79) .020 Dia. (.51)</p>	Type -49 Not for use with RNB. <p>.072 Dia. (1.83) .095 (2.41) .095 (2.41) .028 Dia. (.71)</p>	Type -01 Molded only <p>.072 Dia. (1.83) .165 (4.19) .125 (3.18) .020 Dia. (.51)</p>	Type -299 Available in Peel-A-Way® or FR-4 (use FNB body type) only. (Not Quick-Turn) <p>.072 Dia. (1.83) .083 (2.11) .082 (2.08) .025 Dia. (.64)</p>
--	---	---	--



Peel-A-Way® Removable Carriers



1. Place socket on PC board.
2. Send PC board and socket through soldering operation.
3. Peel away polyimide film carrier for complete solder joint visibility or leave in place for added stability.

Standard Male Quick-Turn Terminals

Type -79 Peel-A-Way® only <p>.072 Dia. (1.83) .125 (3.18) .030 (.76) .125 (3.18) .018 Dia. (.46) Typ. 2</p>	Type -80 Peel-A-Way® only <p>.072 Dia. (1.83) .125 (3.18) .070 (1.78) .125 (3.18) .018 Dia. (.46) Typ. 2</p>	Type -81 Peel-A-Way® only <p>.072 Dia. (1.83) .125 (3.18) .085 (2.16) .125 (3.18) .018 Dia. (.46) Typ. 2</p>	Type -68 <p>.018 Dia. (.46) .125 (3.18) .100 (2.54) .210 (5.33) .125 (3.18) .018 Dia. (.46)</p>
--	---	---	---

Type -43 <p>.018 Dia. (.46) .125 (3.18) .335 (8.51) .100 (2.54) .018 Dia. (.46) .125 (3.18)</p>	Type -185 <p>.018 Dia. (.46) .125 (3.18) .500 (12.70) .100 (2.54) .018 Dia. (.46) .125 (3.18)</p>	Type -42 <p>.018 Dia. (.46) .125 (3.18) .585 (14.86) .100 (2.54) .018 Dia. (.46) .125 (3.18)</p>	Type -71 <p>.018 Dia. (.46) .125 (3.18) .835 (21.21) .100 (2.54) .018 Dia. (.46) .125 (3.18)</p>
---	---	--	--

Available Online:

- RoHS Qualification Test Report

See following pages for typical board to board spacing configuration and additional dimensional information.

Standard Male Terminals

Type -444 <p>.018 Dia. (.46) .052 (1.32) .125 (3.18) .103 (2.62) .125 (3.18) .018 Dia. (.46)</p>	Type -398 <p>.018 Dia. (.46) .125 (3.18) .679 (17.25) .100 (2.54) .018 Dia. (.46) .125 (3.18)</p>	Type -399 <p>.018 Dia. (.46) .125 (3.18) .379 (9.63) .100 (2.54) .018 Dia. (.46) .125 (3.18)</p>	Type -403 <p>.018 Dia. (.46) .125 (3.18) .750 (19.06) .100 (2.54) .018 Dia. (.46) .125 (3.18)</p>
--	---	--	---

inch/(mm)

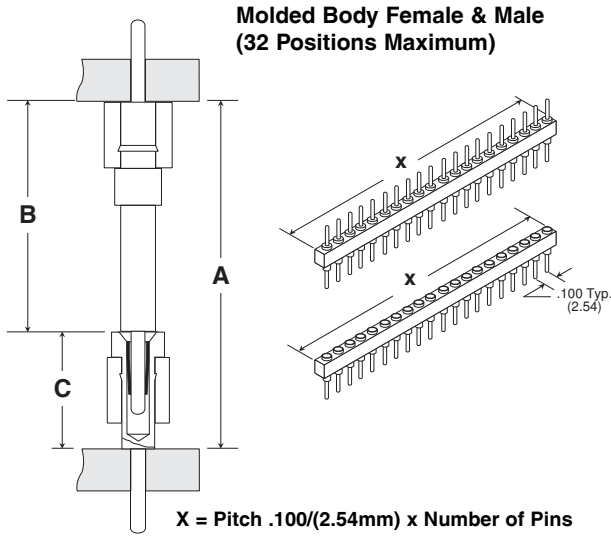
Products shown covered by patents issued and/or pending. Specifications subject to change without notice.



5 Energy Way, West Warwick, RI 02893 USA
 Tel: 800.424.9850 | 401.823.5200
 Fax: 401.823.8723
 info@advanced.com | www.advanced.com
 Catalog 16 rev. Sept. 07

Dimensional Information

Order one each Male & Female to get the required "A" dim.



B	C	A	Male Part #	Female Part #
.155/(3.94)	.083/(2.11)	.238/(6.05)	RNA020-444G	FNB020-299MG
.155/(3.94)	.095/(2.41)	.250/(6.35)	RNA020-444G	RLNB020-49MG
.155/(3.94)	.120/(3.05)	.275/(6.99)	RNA020-444G	RLNB020-04MG
.155/(3.94)	.130/(3.30)	.285/(7.24)	RNA020-444G	RNB020-51MG
.210/(5.33)	.083/(2.11)	.293/(7.44)	RNA020-68G	FNB020-299MG
.210/(5.33)	.095/(2.41)	.305/(7.74)	RNA020-68G	RLNB020-49MG
.155/(3.94)	.165/(4.19)	.320/(8.13)	RNA020-444G	RNB020-01MG
.210/(5.33)	.120/(3.05)	.330/(8.37)	RNA020-68G	RLNB020-04MG
.210/(5.33)	.130/(3.30)	.340/(8.63)	RNA020-68G	RNB020-51MG
.210/(5.33)	.165/(4.19)	.375/(9.52)	RNA020-68G	RNB020-01MG
.335/(8.51)	.083/(2.11)	.418/(10.62)	RNA020-43G	FNB020-299MG
.335/(8.51)	.095/(2.41)	.430/(10.92)	RNA020-43G	RLNB020-49MG
.335/(8.51)	.120/(3.05)	.455/(11.56)	RNA020-43G	RLNB020-04MG
.379/(9.63)	.083/(2.11)	.462/(11.74)	RNA020-399G	FNB020-299MG
.335/(8.51)	.130/(3.30)	.465/(11.81)	RNA020-43G	RNB020-51MG
.379/(9.63)	.095/(2.41)	.474/(12.04)	RNA020-399G	RLNB020-49MG
.379/(9.63)	.120/(3.05)	.499/(12.68)	RNA020-399G	RLNB020-04MG
.335/(8.51)	.165/(4.19)	.500/(12.70)	RNA020-48G	RNB020-01MG
.379/(9.63)	.130/(3.30)	.509/(12.93)	RNA020-399G	RNB020-51MG
.379/(9.63)	.165/(4.19)	.544/(13.82)	RNA020-399G	RNB020-01MG
.500/(12.70)	.083/(2.11)	.583/(14.81)	RNA020-185G	FNB020-299MG
.500/(12.70)	.095/(2.41)	.595/(15.11)	RNA020-185G	RLNB020-49MG
.500/(12.70)	.120/(3.05)	.620/(15.75)	RNA020-185G	RLNB020-04MG
.500/(12.70)	.130/(3.30)	.630/(16.00)	RNA020-185G	RNB020-51MG
.500/(12.70)	.165/(4.19)	.665/(16.89)	RNA020-185G	RNB020-01MG
.585/(14.86)	.083/(2.11)	.668/(16.87)	RNA020-42G	FNB020-299MG
.585/(14.86)	.095/(2.41)	.680/(17.27)	RNA020-42G	RLNB020-49MG
.585/(14.86)	.120/(3.05)	.705/(17.91)	RNA020-42G	RLNB020-04MG
.585/(14.86)	.130/(3.30)	.715/(18.16)	RNA020-42G	RNB020-51MG
.585/(14.86)	.165/(4.19)	.750/(19.05)	RNA020-42G	RLNB020-01MG
.679/(17.25)	.083/(2.11)	.762/(19.36)	RNA020-398G	FNB020-299MG
.679/(17.25)	.095/(2.41)	.774/(19.66)	RNA020-398G	RLNB020-49MG
.679/(17.25)	.120/(3.05)	.799/(20.30)	RNA020-398G	RLNB020-04MG
.679/(17.25)	.130/(3.30)	.809/(20.55)	RNA020-398G	RNB020-51MG
.750/(19.06)	.083/(2.11)	.833/(21.17)	RNA020-403G	FNB020-299MG
.679/(17.25)	.165/(4.19)	.844/(21.44)	RNA020-398G	RNB020-01MG
.750/(19.06)	.095/(2.41)	.845/(21.47)	RNA020-403G	RLNB020-49MG
.750/(19.06)	.120/(3.05)	.870/(22.11)	RNA020-403G	RLNB020-04MG
.750/(19.06)	.130/(3.30)	.880/(22.36)	RNA020-403G	RNB020-51MG
.750/(19.06)	.165/(4.19)	.915/(23.25)	RNA020-403G	RNB020-01MG
.835/(21.21)	.083/(2.11)	.918/(23.32)	RNA020-71G	FNB020-299MG
.835/(21.21)	.095/(2.41)	.930/(23.62)	RNA020-71G	RLNB020-49MG
.835/(21.21)	.120/(3.05)	.955/(24.26)	RNA020-71G	RLNB020-04MG
.835/(21.21)	.130/(3.30)	.965/(24.51)	RNA020-71G	RNB020-51MG
.835/(21.21)	.165/(4.19)	1.000/(25.40)	RNA020-71G	RLNB020-01MG

20 position single row part numbers shown. See How To Order section for ordering information.

If required "A" dimension is not shown, consult factory.



Dimensional Information

Order one each Male & Female to get the required "A" dim.

B	C	A	Male Part #	Female Part #	Fig.
.030/(.76)	.015/(.38)	.045/(1.14)	KSA020-79G	KSS020-210MG	3
.030/(.76)	.030/(.76)	.060/(1.52)	KSA020-79G	KSS020-85MG	3
.070/(1.78)	.015/(.38)	.085/(2.16)	KSA020-80G	KSS020-210MG	3
.085/(2.16)	.015/(.38)	.100/(2.54)	KSA020-81G	KSS020-210MG	3
.070/(1.78)	.030/(.76)	.100/(2.54)	KSA020-80G	KSS020-85MG	3
.030/(.76)	.083/(2.11)	.113/(2.87)	KSA020-79G	FNB020-299MG	1
.085/(2.16)	.030/(.76)	.115/(2.92)	KSA020-81G	KSS020-85MG	3
.030/(.76)	.095/(2.41)	.125/(3.18)	KSA020-79G	KSS020-49MG	3
.030/(.76)	.120/(3.05)	.150/(3.81)	KSA020-79G	KSS020-04MG	3
.070/(1.78)	.083/(2.11)	.153/(3.89)	KSA020-80G	FNB020-299MG	1
.030/(.76)	.130/(3.30)	.160/(4.06)	KSA020-79G	KSS020-51MG	3
.070/(1.78)	.095/(2.41)	.165/(4.19)	KSA020-80G	KSS020-49MG	3
.085/(2.16)	.083/(2.11)	.168/(4.27)	KSA020-81G	FNB020-299MG	1
.155/(3.94)	.015/(.38)	.170/(4.32)	RNA020-444G	KSS020-210MG	2
.085/(2.16)	.095/(2.41)	.180/(4.57)	KSA020-81G	KSS020-49MG	3
.155/(3.94)	.031/(.79)	.186/(4.72)	RNA020-444G	KSS020-85MG	2
.070/(1.78)	.120/(3.05)	.190/(4.83)	KSA020-80G	KSS020-04MG	3
.030/(.76)	.165/(4.19)	.195/(4.95)	KSA020-79G	KSS020-33MG	3
.070/(1.78)	.130/(3.30)	.200/(5.08)	KSA020-80G	KSS020-51MG	3
.085/(2.16)	.120/(3.05)	.205/(5.21)	KSA020-81G	KSS020-04MG	3
.085/(2.16)	.130/(3.30)	.216/(5.47)	KSA020-81G	KSS020-51MG	3
.210/(5.33)	.015/(.38)	.225/(5.72)	RNA020-68G	KSS020-210MG	2
.070/(1.78)	.165/(4.19)	.235/(5.97)	KSA020-80G	KSS020-33MG	3
.210/(5.33)	.031/(.79)	.241/(6.12)	RNA020-68G	KSS020-85MG	2
.085/(2.16)	.165/(4.19)	.250/(6.35)	KSA020-81G	KSS020-33MG	3
.335/(8.51)	.015/(.38)	.350/(8.89)	RNA020-43G	KSS020-210MG	2
.379/(9.63)	.015/(.38)	.364/(9.25)	RNA020-399G	KSS020-210MG	2
.335/(8.51)	.031/(.79)	.366/(9.30)	RNA020-43G	KSS020-85MG	2
.379/(9.63)	.031/(.79)	.410/(10.42)	RNA020-399G	KSS020-85MG	2
.500/(12.70)	.015/(.38)	.515/(13.08)	RNA020-185G	KSS020-210MG	2
.500/(12.70)	.031/(.79)	.531/(13.79)	RNA020-185G	KSS020-85MG	2
.585/(14.86)	.015/(.38)	.600/(15.24)	RNA020-42G	KSS020-210MG	2
.585/(14.86)	.031/(.79)	.616/(15.65)	RNA020-42G	KSS020-85MG	2
.679/(17.25)	.015/(.38)	.694/(17.63)	RNA020-398G	KSS020-210MG	2
.679/(17.25)	.031/(.79)	.710/(18.04)	RNA020-398G	KSS020-85MG	2
.750/(19.06)	.015/(.38)	.765/(19.44)	RNA020-403G	KSS020-210MG	2
.750/(19.06)	.031/(.79)	.781/(19.85)	RNA020-403G	KSS020-85MG	2
.835/(21.21)	.015/(.38)	.850/(21.59)	RNA020-71G	KSS020-210MG	2
.835/(21.21)	.031/(.79)	.866/(22.00)	RNA020-71G	KSS020-85MG	2

20 position single row part numbers shown. See How To Order section for ordering information.

If required "A" dimension is not shown, consult factory.

Figure 1
Molded Body Female & Peel-A-Way® Male (32 Positions Maximum)

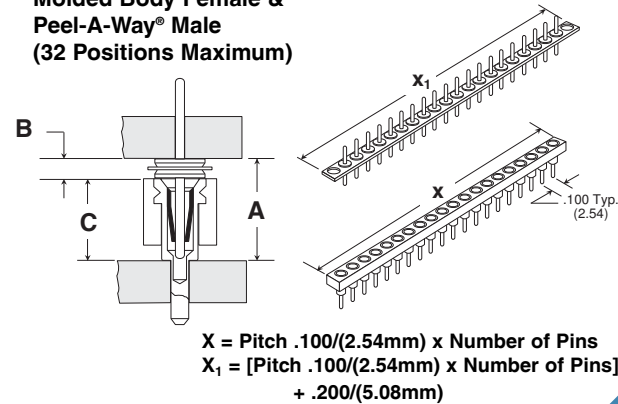


Figure 2
Peel-A-Way® Female & Molded Body Male (32 Positions Maximum)

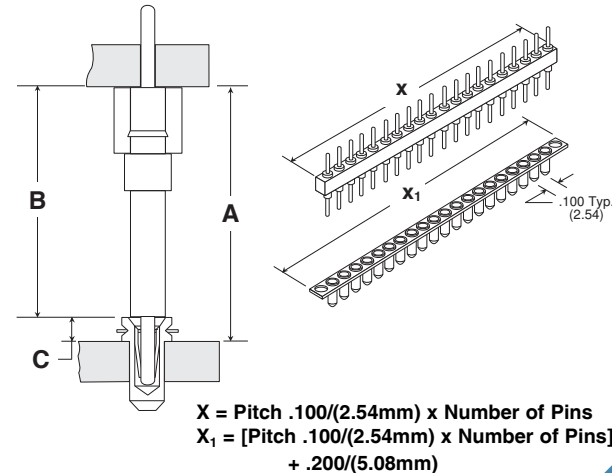


Figure 3
Peel-A-Way® Female & Peel-A-Way® Male (2-100 Positions Maximum)

